

Danfoss RX

Roof and Gutter Deicing

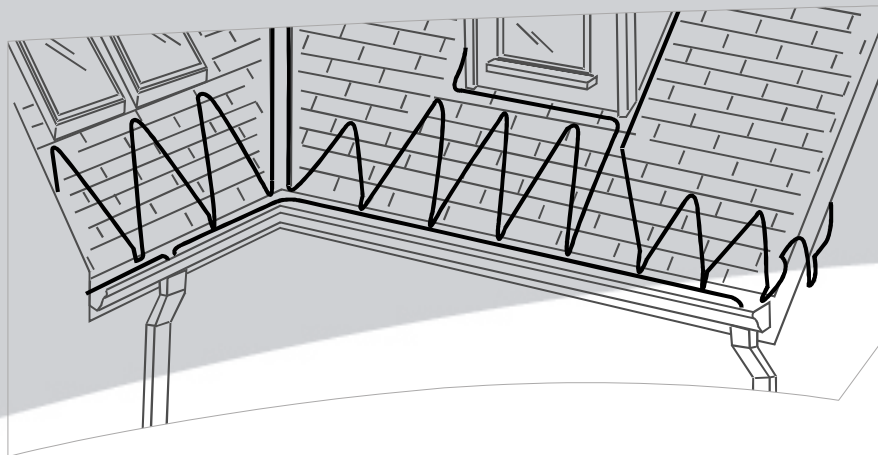
Cable

- 8 lengths available
 - 30, 65, 80, 100, 120, 170, 230, 265'
- Output: 5W / ft
 - Constant watt cable
 - Cannot touch or cross!
- Twin conductor: single lead, no EMF's
- 6' power lead
- Heavy duty, grounded AC plug
- 100% aluminum foil shield



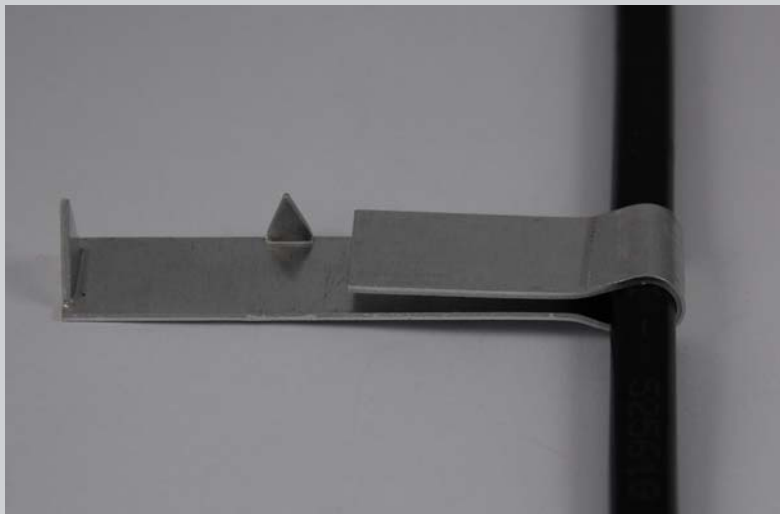
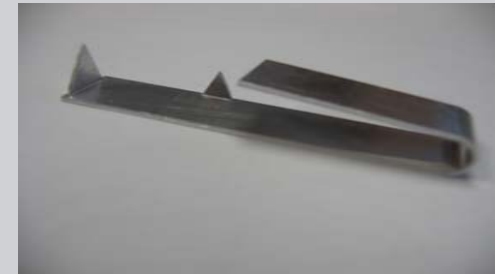
Shingle Clips

- Attach clips at top and bottom of runs
- Place cable in clips and “lock”
- Lay gutter along gutter floor



Shingle Clip

- For roofs with “soft shingles”
 - Push clip up under shingle
 - Place cable in clip and “lock”



Shingle Clips

- Included in the RX Kit box:

Order #	Length	# of bags	# of clips
088L3500	30	1	25
088L3502	65	1	25
088L3503	80	2	50
088L3504	100	2	50
088L3505	120	3	75
088L3508	170	4	100
088L3510	230	4	100
088L3511	265	5	125

Also available as an accessory
with 25 pcs per bag

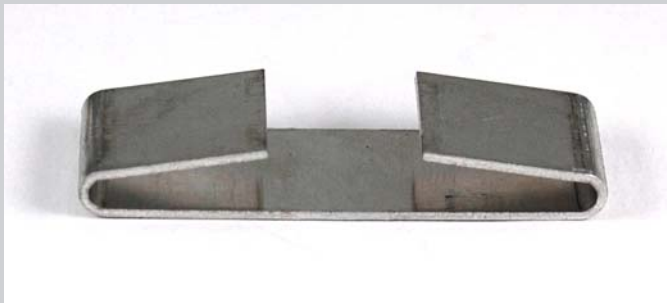
Spacer Clips

- Used whenever the cable is required to “double-back”
- Ensures that the two cables are kept separated



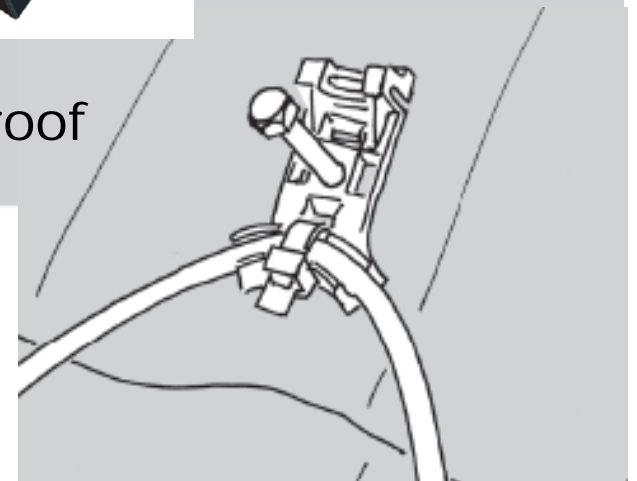
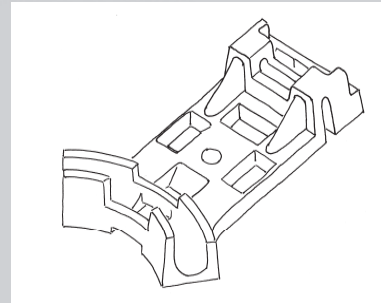
Spacer Clip

- Used whenever the cable is required to “double-back”
- Ensures that the two cables are kept separated
- Use in downspouts and gutters



RX Clips

- Two plastic clips
 - Type A for top of run
 - Type B for bottom of run
- Clips are screwed or glued in place on roof
 - apply sealant to screws if used



Roof Clip Type A

- For roofs with screw on roof plates
 - Loosen screw
 - Push hook over screw
 - Tighten screw again
 - Fasten cable
- The clip can also be glued down



Roof Clip Type B

- For roofs with snow rails
 - Strip clip to rail
 - Fasten cable

- Very versatile
 - Strapping at every angle
 - Can be glued as well



LX Strapping

- Used whenever the cable is required to “double-back”
 - Use the same method as for LX Cables
 - Can be screwed* or glued down
 - For use in down pipes and gutters where the CC is greater than 2” and metal roofs



* Always use sealant if screws are used